

# PFAFF®

Expression 3.2  
4.2

Parts list

Nicht nummerierte Teile im Katalog werden nicht geliefert.

The parts mentioned without number in the parts list are not available.

Les pièces qui ne sont pas numérotées dans la liste de pièces détachées ne peuvent être livrées.

Bei Bestellung von Ersatzteilen muss die ModellNr. der Maschine, die Seitenzahl des Kataloges und die Teilenummer angegeben werden.

Prière d'indiquer dans vos commandes de pièces de rechange, le numéro de la machine, le numéro de la page dans la liste des pièces détachées, ainsi que les numéros des pièces commandées.

When ordering spare parts, please state the model number, the page number in the catalogue of spare parts and the number of the parts called for.



Please note that on disposal, this product must be safely recycled in accordance with relevant National legislation relating to electrical/electronic products. If in doubt please contact your retailer for guidance.



Bitte beachten Sie, dass hinsichtlich der Entsorgung dieses Produkts, vorschriftsmäßig entsprechend der gültigen nationalen Gesetzgebung für elektrische/elektronische Produkte, recycelt werden muss. Bei Zweifel setzen Sie sich bitte mit Ihrem Fachhändler in Verbindung.

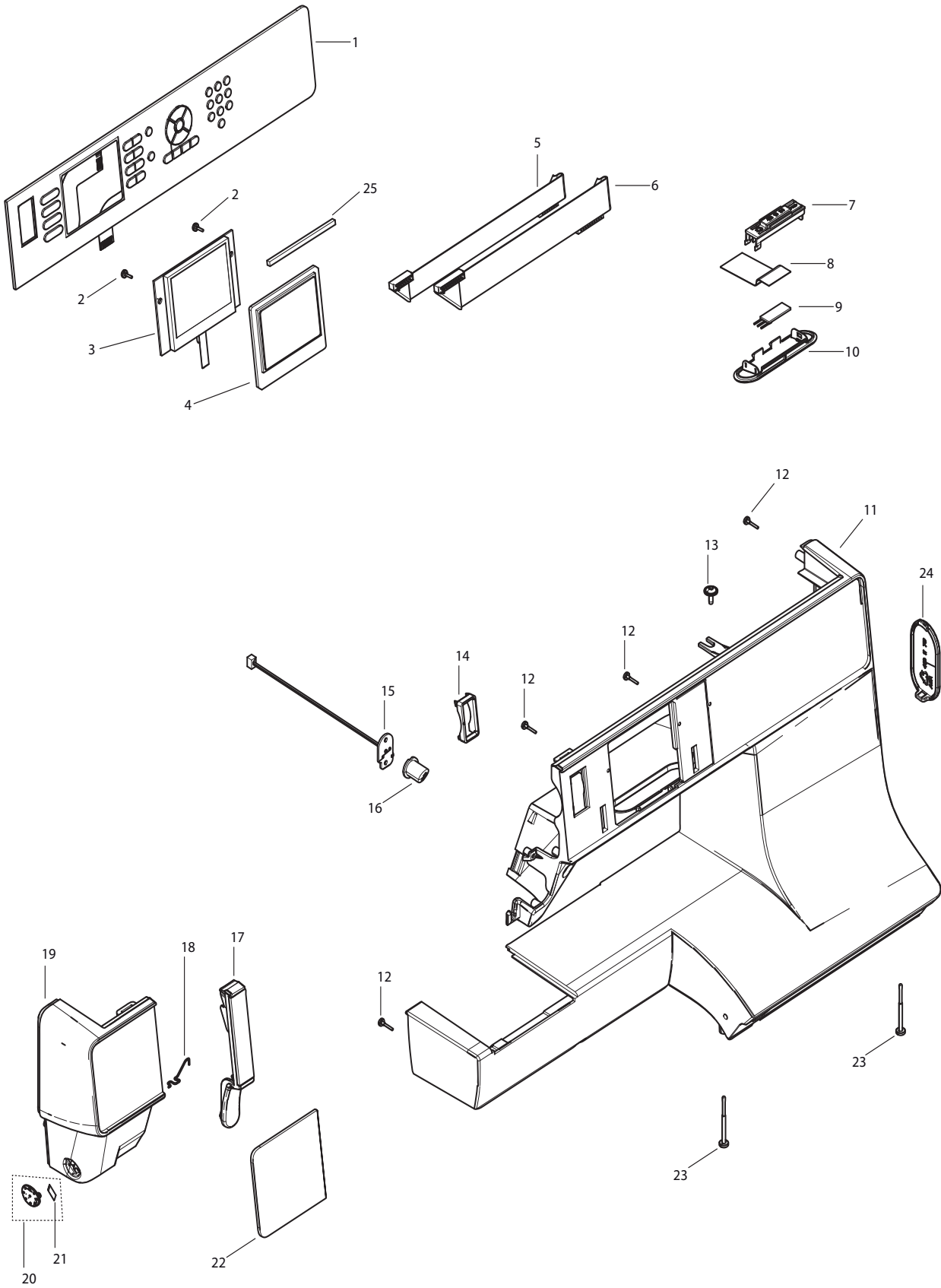


Veuillez noter qu'en cas de destruction, ce produit doit bénéficier d'un recyclage sécurisé, conforme à la législation nationale applicable aux produits électriques/électroniques. En cas de doute, veuillez contacter votre distributeur agréé.

- All casted parts within our products are marked with name of material if allowed by size.
- All molded plastic parts within our products are marked with name of material if allowed by size.

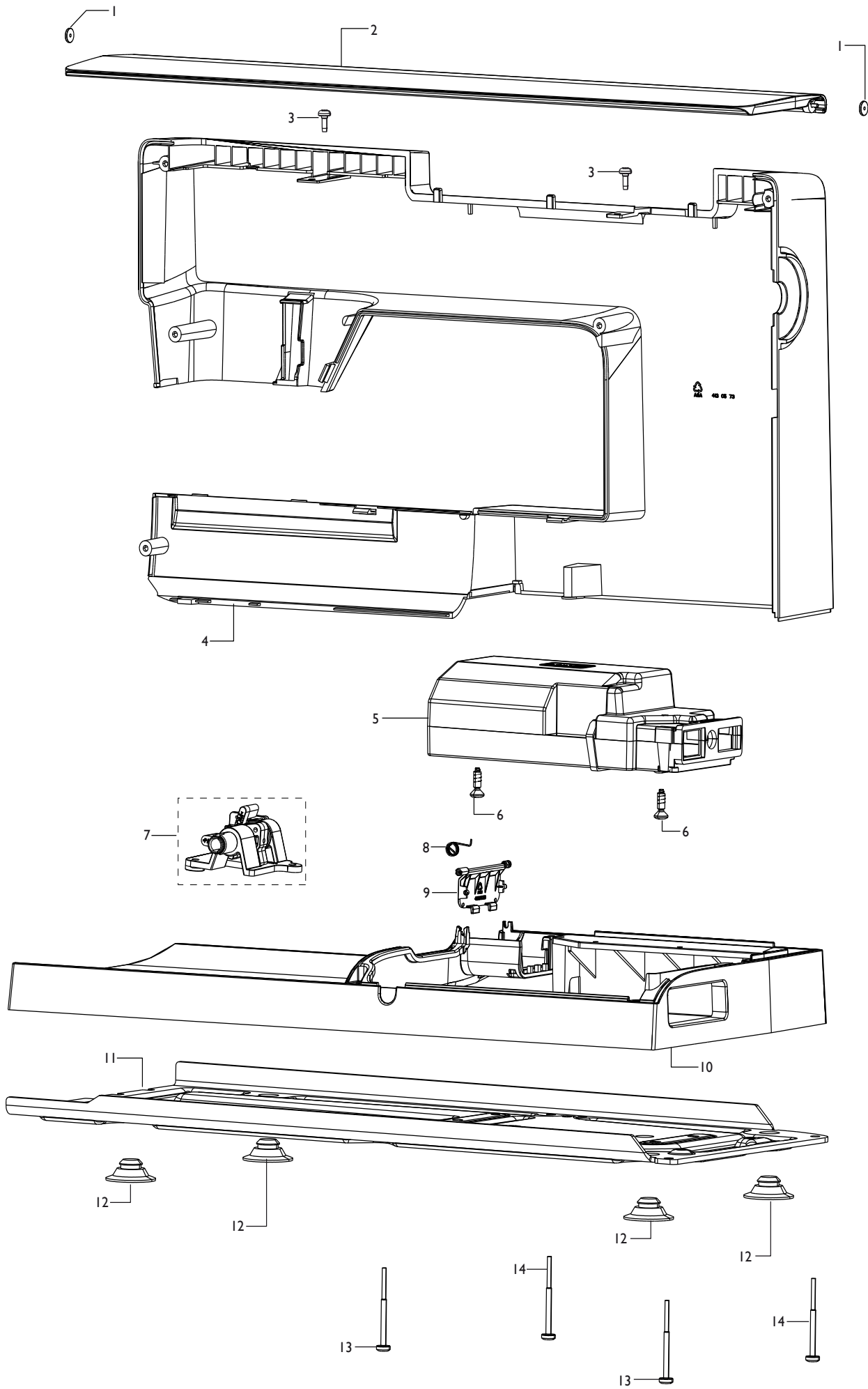


A



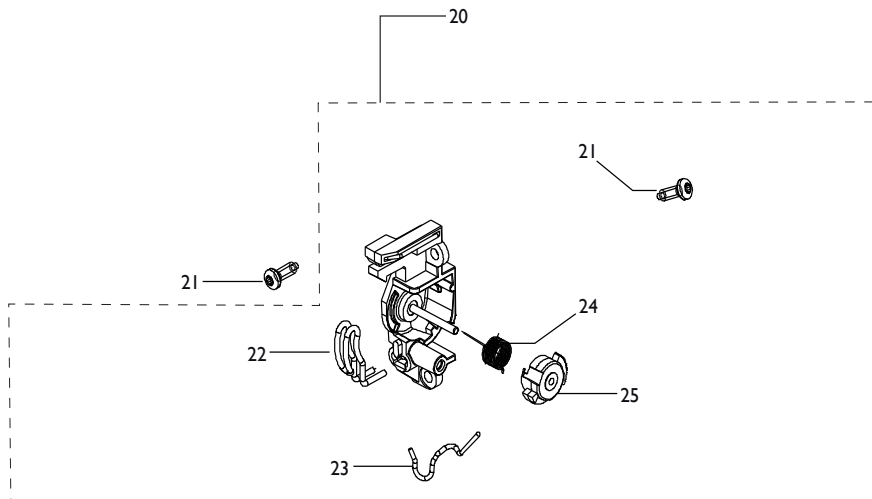
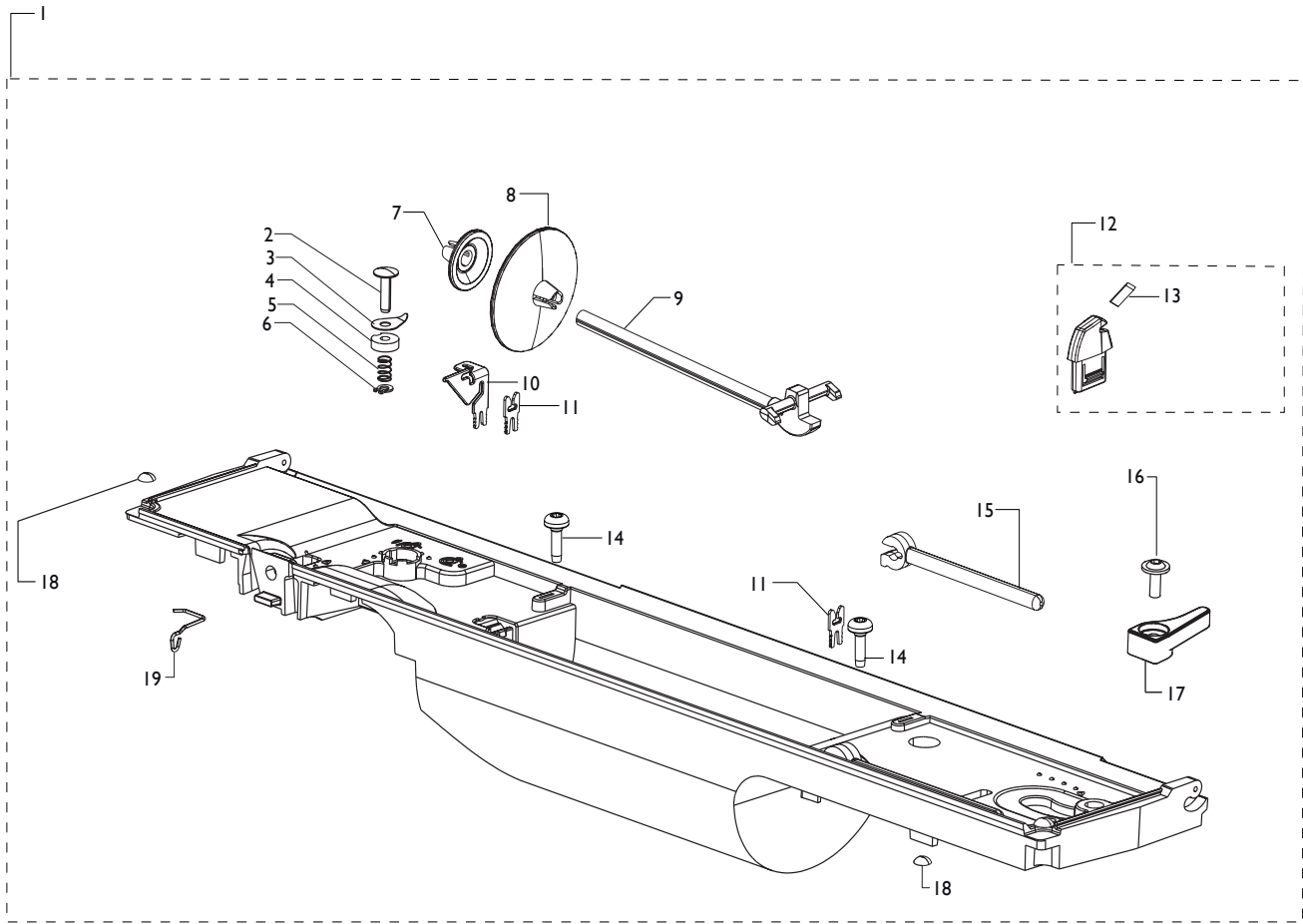
1	413159002	KEYBOARD EXPRESSION 3.2
	413366501	KEYBOARD EXPRESSION 4.2
2	411966801	SCREW PT 30X7.5 FZB TORX
3	413009301	PCB ASSEMBLY LCD
4	413122001	DISPLAY GLASS
5	412546916	CABLE ASSEMBLY (14P)
6	412546917	CABLE ASSEMBLY (20P)
7	413133001	LED HOLDER C
8	413163001	COOLING TAPE
9	413354602	LED LIGHT ASSEMBLY
10	413365301	LED GLASS
11	413117102	FRONT COVER EXPRESSION 3.2
	413117101	FRONT COVER EXPRESSION 4.2
12	411966803	SCREW PT 30X12 FZB TORX
13	412281904	SCREW FLANGE M4X10 TAPTITE TORX
14	413121902	FRAME EXPRESSION 3.2
15	413067401	BOARD, REVERSE BUTTON
16	413057601	REVERSE BUTTON
17	413136404	GUIDE CPL. EXPRESSION 3.2
	413136405	GUIDE CPL. EXPRESSION 4.2
18	413068801	THREAD GUIDE
19	413117302	COVER, SEWING HEAD
20	413066201	THREAD KNIFE CPL.
21	412324701	THREAD CUTTER
22	413148204	DECAL COVER SEWING H. EXPR 3.2
	413148205	DECAL COVER SEWING H. EXPR 4.2
23	411966812	SCREW PT 40X40 FZB TORX
24	413117501	USB COVER
25	412520103	SEALING

B



1	413139901	BUSHING
2	413053311	LID CPL. EXPRESSION 3.2
	413053312	LID CPL. EXPRESSION 4.2
3	412056005	SCREW TAPTITE M4*10 TORX
4	413057301	BACK COVER, PFAFF HIGH, EXPRESSION 4.2
	413057302	BACK COVER, PFAFF LOW EXPRESSION 3.2
5	413390102	POWER SUPPLY CPL.
6	411967107	SCREW PT FS 40*35 FZB TORX
7	413050201	KNEE LIFT CPL.
8	413068601	TORSION SPRING
9	413052601	LID, XYUNIT
10	413034703	BOTTOM COVER APF, KNEE LIFT EXPRESSION 4.2
	413034704	BOTTOM COVER APF, NO KNEE LIFT, EXPRESSION 3.2
11	412954501	BOTTOM PLATE
12	412305001	RUBBER FOOT, BASE PLATE
13	411966812	SCREW PT 40*40 FZB TORX
14	411966813	SCREW PT 40*50 FZB

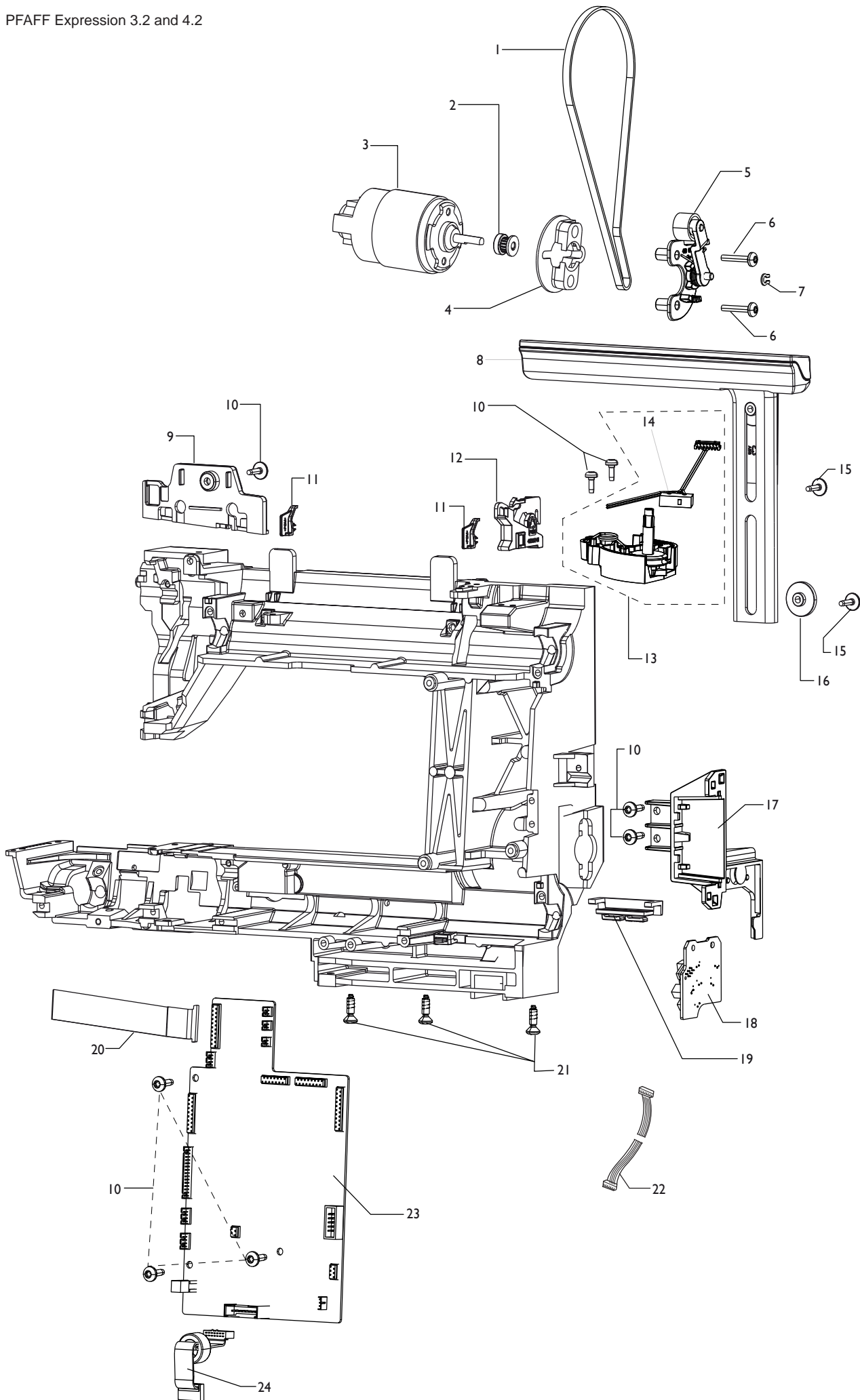
C





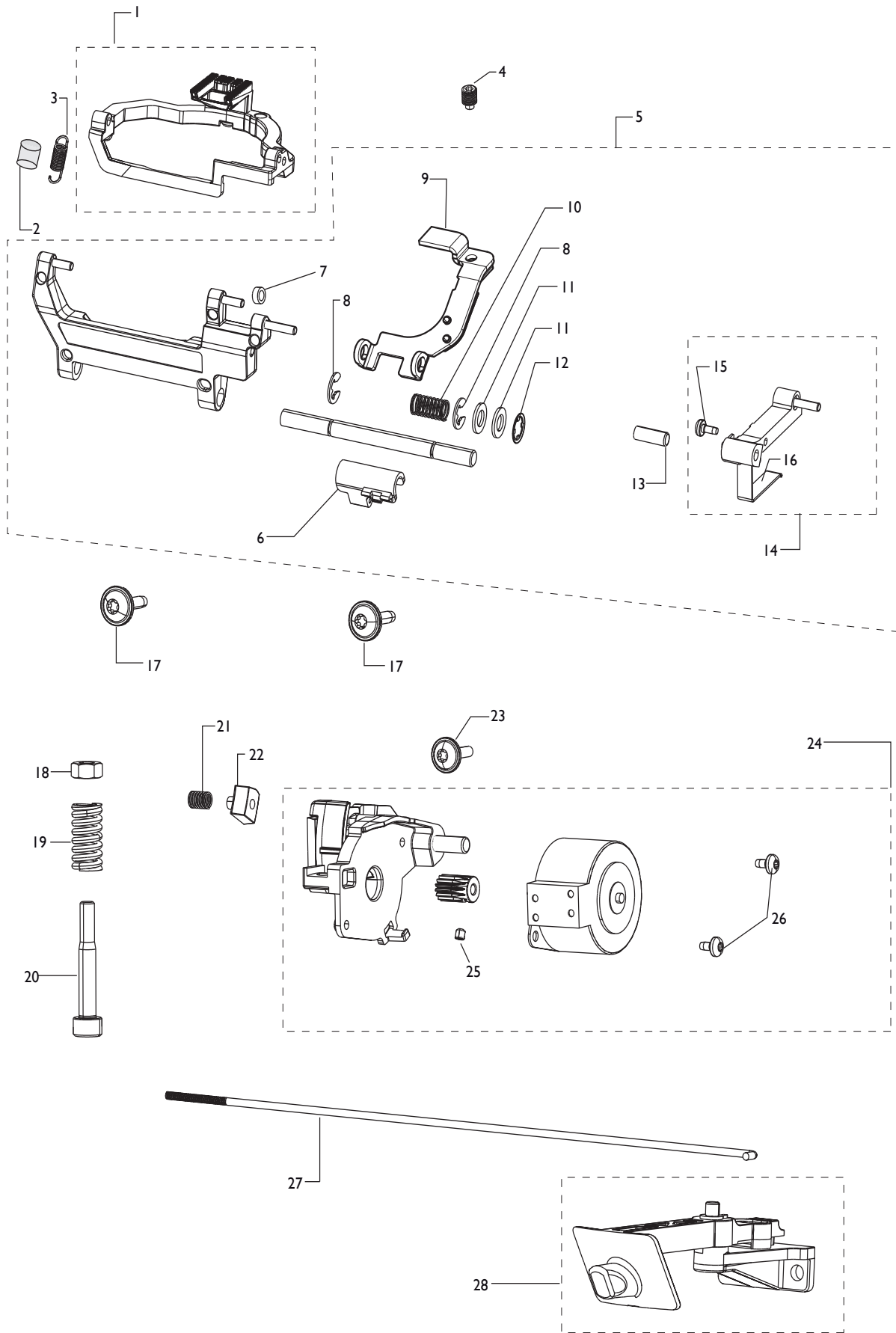
1	413064706	TOP COVER CPL.
2	9303017435000	GUIDE PIN
3	9303906805000	THREAD GUIDE, BOBBIN WINDER
4	9303205025000	THREAD GUIDE
5	9304006005000	SPRING
6	1261814045000	RING PN 126183,5
7	413051601	SPOOL HOLDER 22 MM
8	413051603	SPOOL HOLDER 45 MM
9	413064501	REEL PIN
10	413190001	THREAD GUIDE CPL.
11	413060201	THREAD GUIDE
12	413022501	COVER THREAD KNIFE CPL. WIN.
13	412423701	THREAD CUTTER
14	412056005	SCREW TAPTITE M4*10 TORX
15	412960401	THREAD REEL PIN
16	9303311855000	SCREW 3*8
17	413108901	STOP
18	412569701	DAMPER
19	413064602	THREAD GUIDE
20	413004004	THREAD SENSOR CPL.
21	411966820	SCREW 30*10 FZB KOMBITORX
22	412519301	THREAD GUIDE
23	413004501	THREAD CONTROL, THREAD SENSOR
24	412519202	CHECK SPRING
25	413004301	ADJUSTING SLEEVE

D



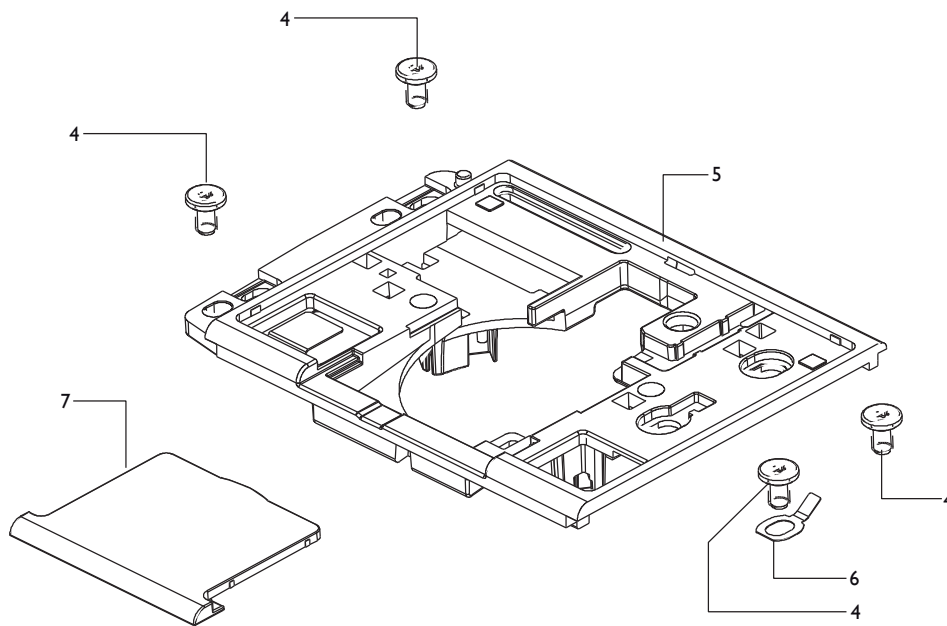
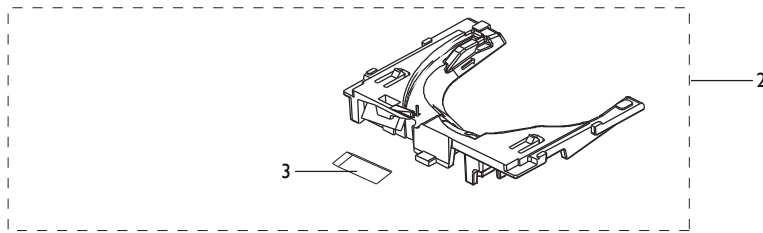
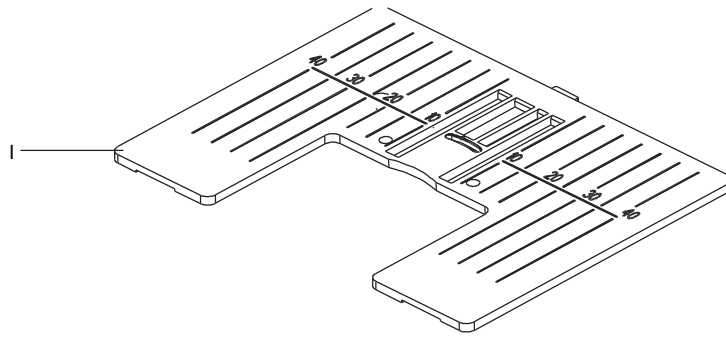
1	413020201	COG BELT MOTOR
2	412353302	DRIVING WHEEL MOTOR 350,400,500
3	9233011191000	ENGINE DOMEL
4	412999901	RUBBER DAMPER, MOTOR
5	412971901	BELT STRETCHER CPL.
6	412211415	SCREW M4*20 TORX
7	735613640	COMPRESSION RINGS Ø4
8	413056101	HANDLE PART CPL.
9	413063901	CABLE SHIELD
10	412056006	SCREW TAPTTITE M4*12 TORX
11	413024201	CABLE CLAMP
12	413024101	CABLE LOCATOR
13	412955501	BOBBIN WINDING UNIT
14	413049101	MICRO SWITCH CPL.
15	413169401	COLLAR SCREW TT TORX 4*14
16	413056501	BUSHING,HANDLE PFAFF
17	412985501	HOLDER
18	412986401	SENSOR BOARD, ASS.
19	413075601	CABLE LOCATOR
20	412546912	CABLE ASSEMBLY (18P)
21	412056001	SCREW TAPTTITE M5*14 TORX
22	412546913	CABLE ASSEMBLY (6P)
23	413016657	CONTROL BOARD EXPRESSION 3.2
	413016658	CONTROL BOARD EXPRESSION 4.2
24	412349703	CABLE TRANSF.CONTROL BOARD

E



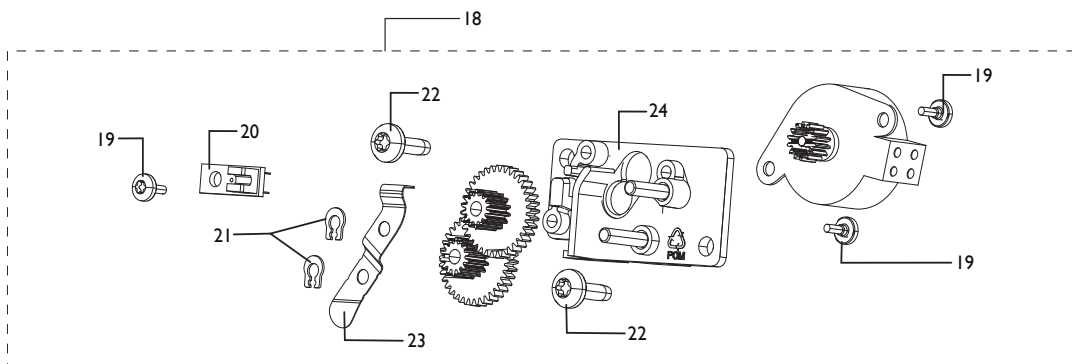
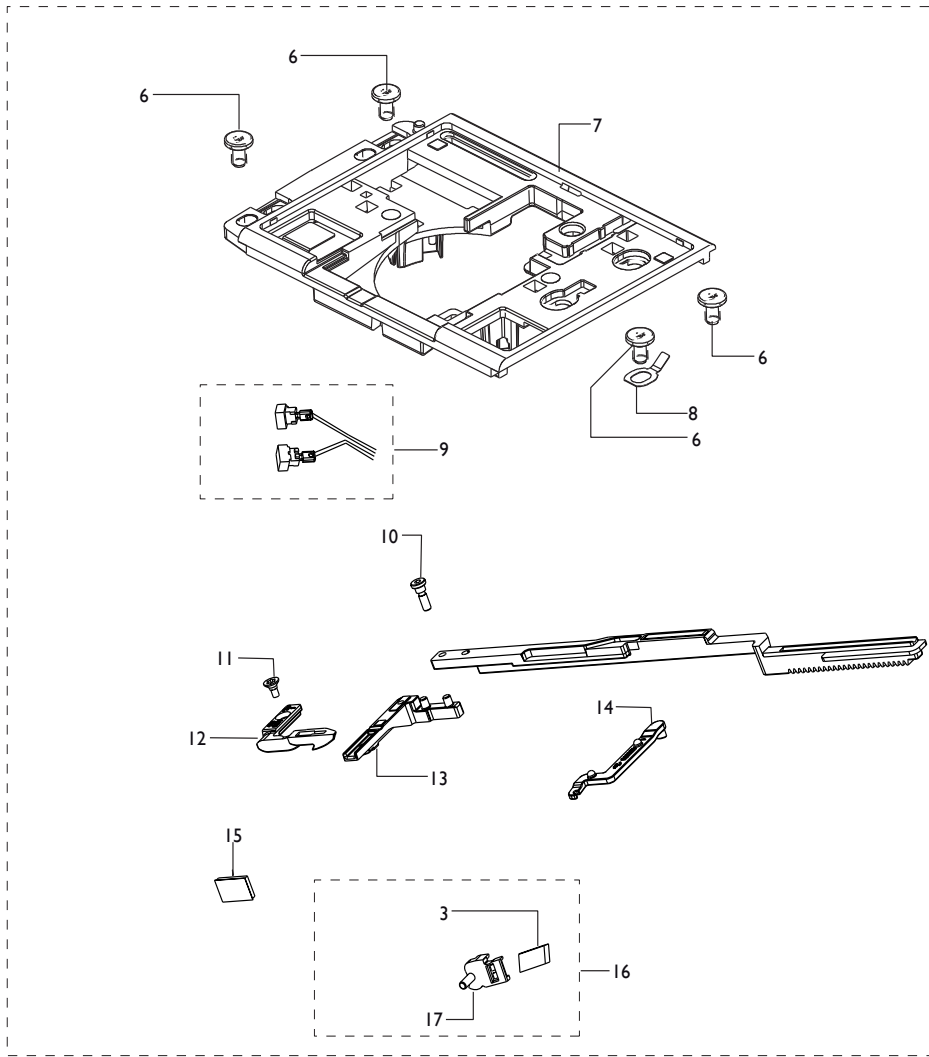
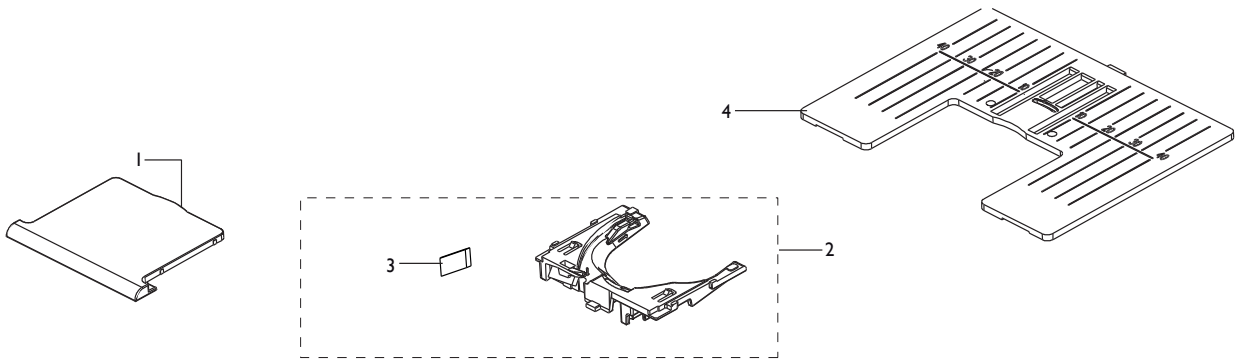
1	413201304	FEED DOG CPL.
2	413112601	BUFFER
3	413270001	TENSION SPRING, FRAME FEED DOG
4	413201201	ADJUSTMENT SCREW, FEEDER
5	413269008	CARRIGE FEED CPL.
6	413034201	INSERT, LEVER FEED LIFT
7	413007801	SPACER, FEED
8	735310820	LOCK WASHER 4
9	413200901	LEVER FEED LIFT CPL.
10	412962501	SPRING, FEED DOG LOWERING
11	412829101	WASHER, LOWER SHAFT
12	412368001	LOCK WASHER
13	412316023	INA PIN NRB 4*19,8 02UM
14	412961601	LINK, CARRIAGE FEED CPL.
15	412056004	SCREW TAPITTE M3*6 TORX
16	412961501	SPRING, FEED
17	413169401	COLLAR SCREW TT TORX 4*14
18	413025401	NUT M5*0,5
19	412963601	SPRING
20	412963701	SCREW BALANCE ADJUSTMENT
21	412961701	SPRING, SLIDING BLOCK
22	412961801	BLOCK, GUIDE
23	413034402	COLLAR SCREW M4*10, LEFT HAND
24	412963501	STEPPING MOTOR UNIT, FEED
25	411968703	SET SCREW FLAT, M3*3 TORX
26	412056011	SCREW TAPITTE M3*5 TORX
27	413034101	PULL WIRE, FEED DOG DROP
28	413142201	MECHANISM, FEED DOG DROP CPL.

# F1



1	412964305	STITCH PLATE PFAFF INCH/MM
2	413025601	RETAINER
3	412423701	THREAD CUTTER
4	412287903	SCREW
5	412964105	HOOK COVER
6	412997701	ESD SPRING, STITCH PLATE
7	412963901	BOBBIN COVER

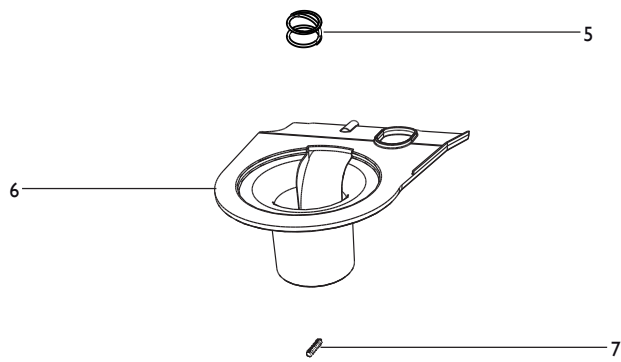
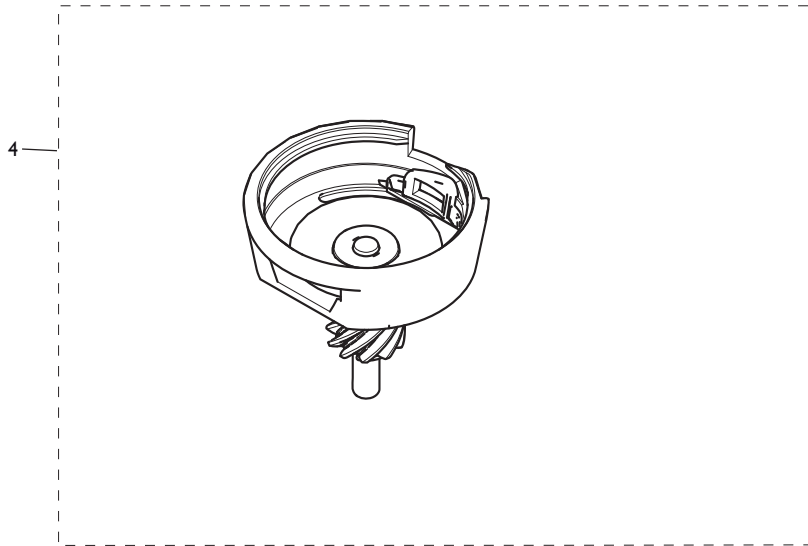
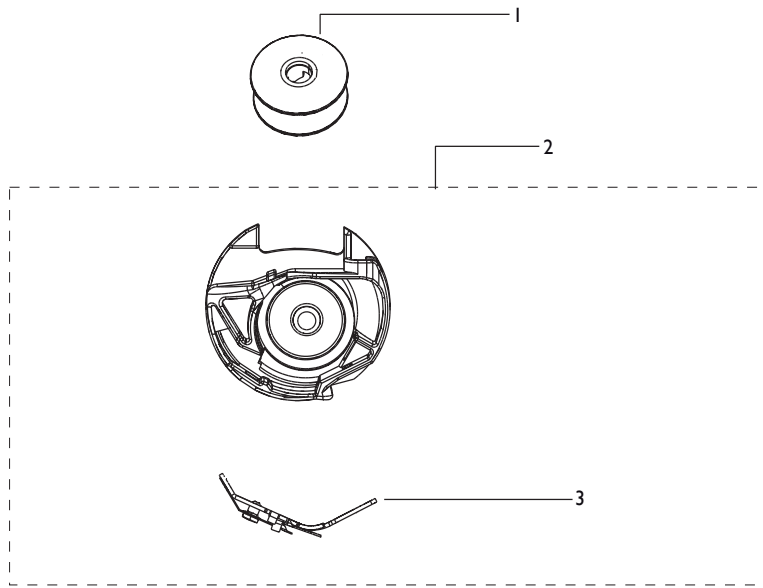
# F2





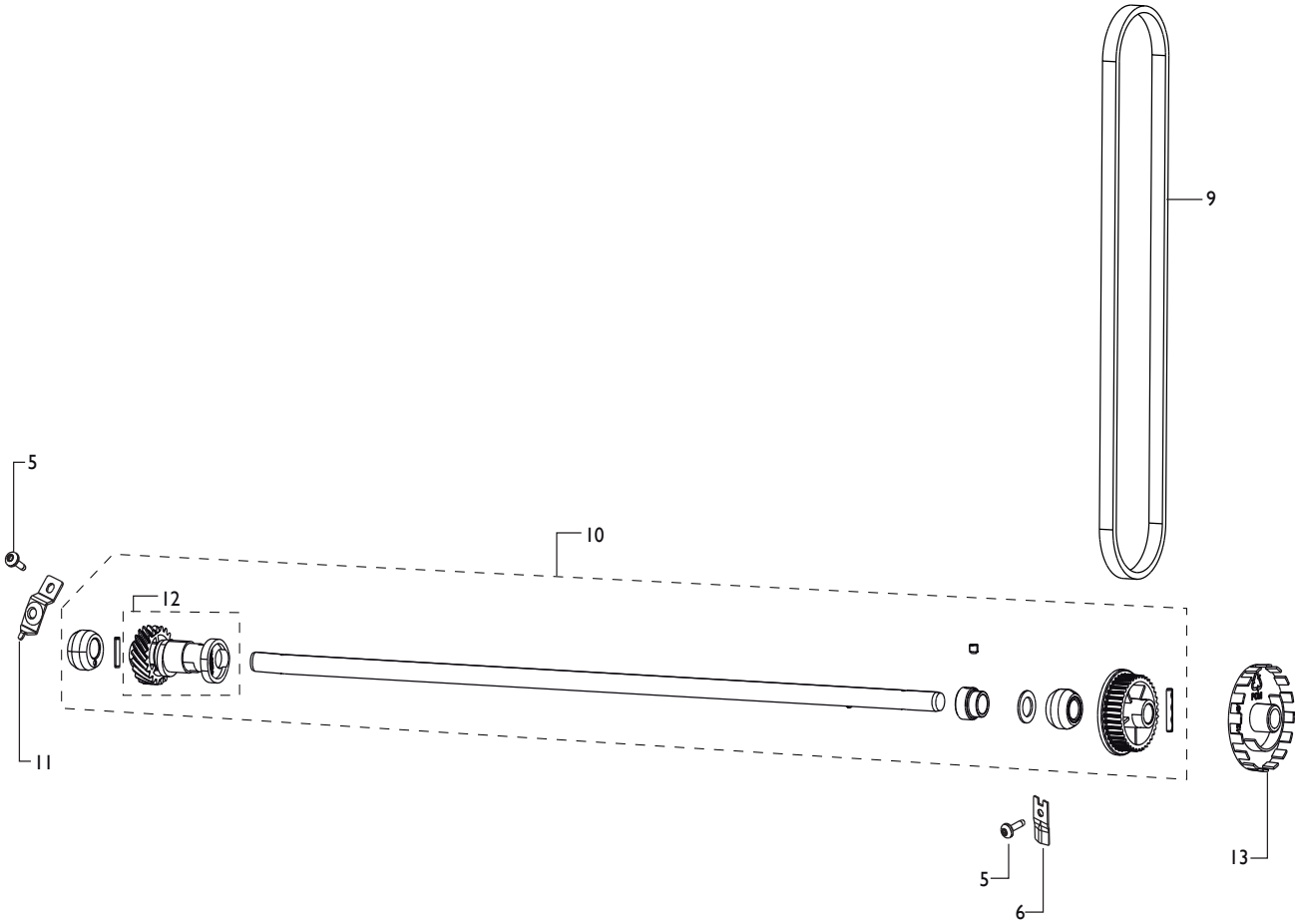
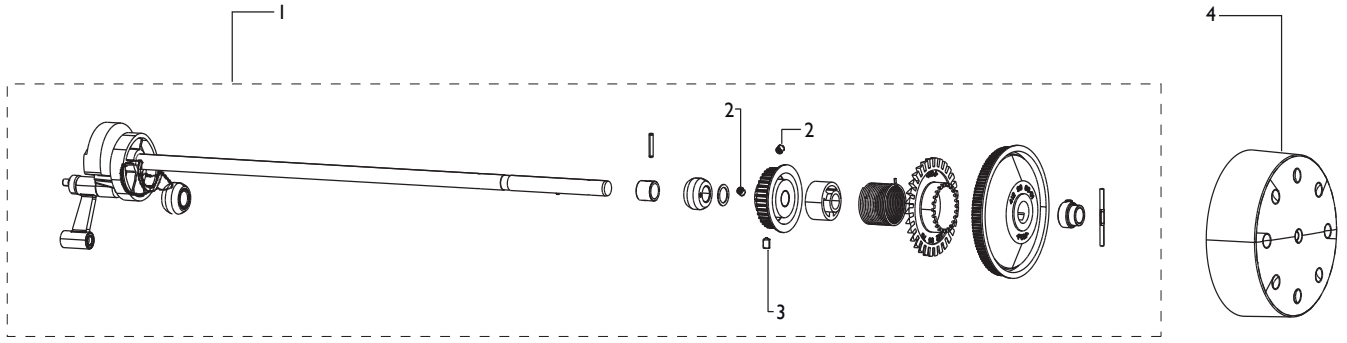
1	412963901	BOBBIN COVER
2	413025601	RETAINER
3	412423701	THREAD CUTTER
4	412964305	STITCH PLATE PFAFF INCH/MM
5	412964002	HOOK COVER CPL. CUT. AND SENS.
6	412287903	SCREW
7	412964105	HOOK COVER
8	412997701	ESD SPRING, STITCH PLATE
9	413101502	CABLE ASS. BOBBIN SENSOR
10	413010001	GUIDE PIN
11	412280501	SCREW, COUNTERSUNK
12	413007101	FETCHER
13	413072201	CONNECTING PART, FETCHER
14	413007301	FETCHER UPPER THREAD
15	413116701	THREAD BRAKE
16	413047301	KNIFE HOLDER CPL.
17	413007701	KNIFE HOLDER
18	413007401	STEPPING MOTOR CPL.
19	411966828	SCREW PT 30*6 FZB TORX
20	413072501	CUT SENSOR ASS.
21	735612440	COMPRESSION RINGS Ø3
22	412056006	SCREW TAPTITE M4*12 TORX
23	413007601	GUIDE GEAR RACK
24	413007502	MOTOR PLATE CPL.

G

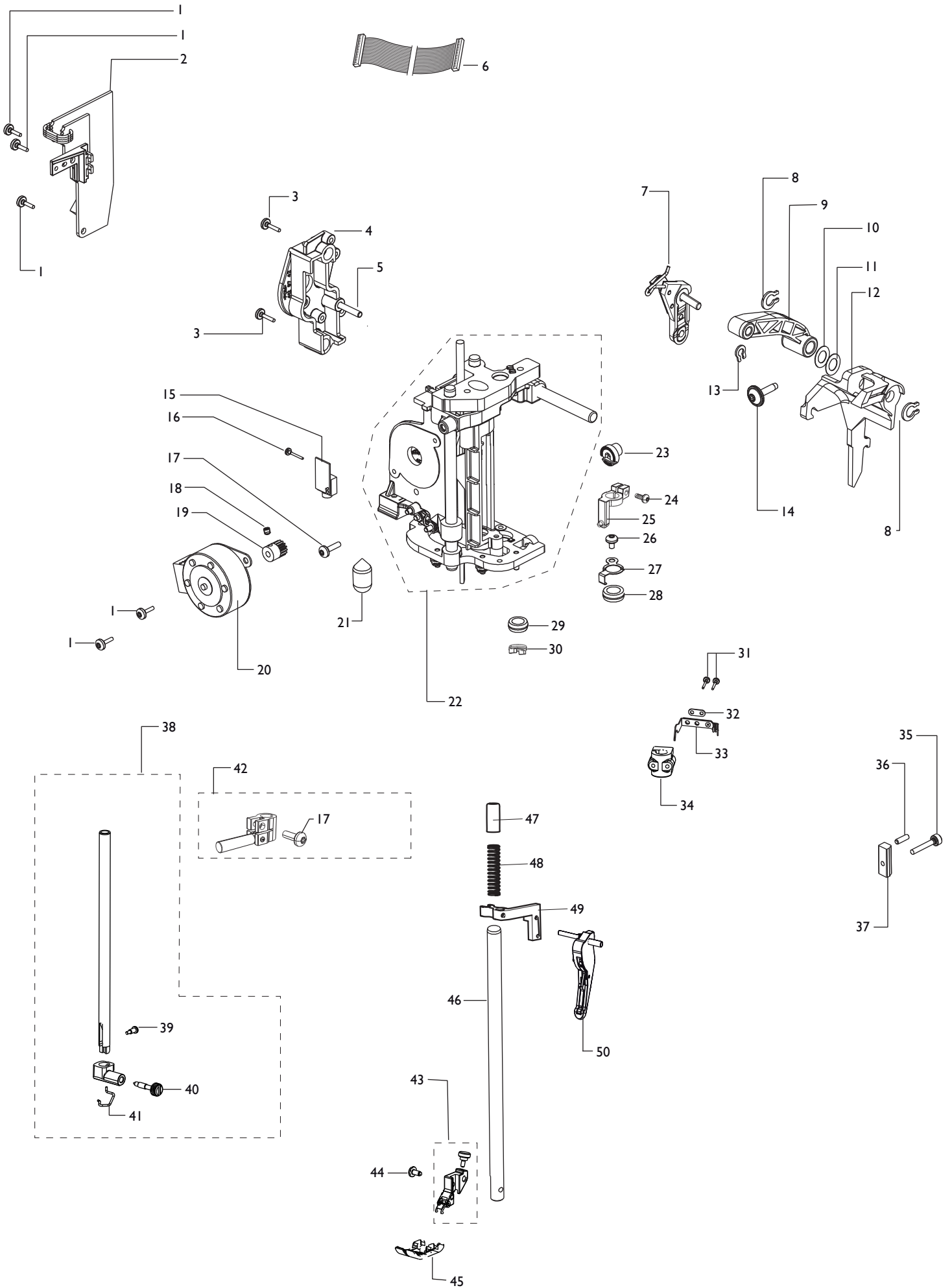


1	820921096	BOBBINS CPL. PF, GREY 10P
2	413058903	BOBBIN CASE CPL.
3	412471601	THREAD TENSION CPL.
4	412876902	HOOK CPL. WITH SHAFT
5	412930101	SPRING, HOOK
6	412964502	DUST COVER
7	728528705	SCREW M4*8

H

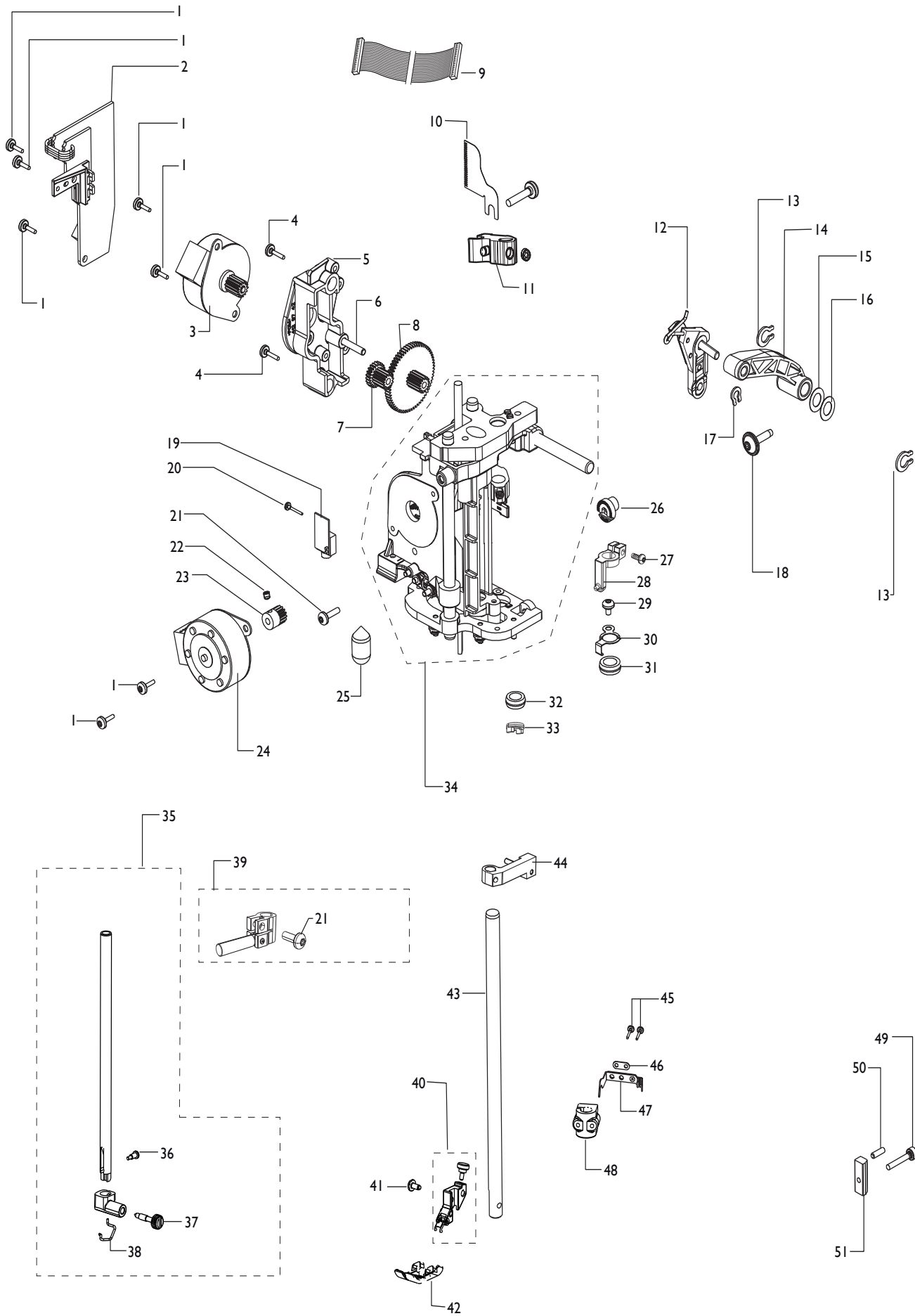


1	412966705	UPPER SHAFT CPL.
2	411968706	SET SCREW FLAT, M4*4 TORX
3	411968807	SET SCREW POINTED, M4*6 TORX
4	413040301	HAND WHEEL
5	412056006	SCREW TAPITTE M4*12 TORX
6	412328401	CLAMP
7	412558401	ABSORBER
8	412687601	GROUND TAPE
9	413020301	COG BELT UPPERLOWER SHAFT
10	412967902	LOWER SHAFT CPL.
	412967903	LOWER SHAFT CPL. (BOX) From productnr 850 123 xxx
11	412318101	CLAMP LOWER SHAFT
12	412964402	ECCENTRIC FEED CPL.
	412964403	ECCENTRIC FEED CPL. (BOX) From productnr 850 123 xxx
13	412968101	SHIELD, REVOLUTION INDICATOR



1	411966801	SCREW PT 30*7,5 FZB TORX
2	413015501	CONN.BOARD SERVO SENS.
3	411966820	SCREW 30*10 FZB KOMBITORX
4	412974201	GEARHOUSE, SERVO
5	412316010	INA PIN NRB 3*17,8 03UM
6	412546912	CABLE ASSEMBLY (18P)
7	413300302	TAKE UP LEVER CPL. WITH LINK,VER2
8	735615340	COMPRESSION RINGS Ø6
9	413047401	LINK
10	411980601	WASHER
11	412001301	SPRING WASHER Ø 6.1/9X0,1
12	413048902	LEVER, THREAD RELEASER
13	735613640	COMPRESSION RINGS Ø4
14	412281902	SCREW FLANGE M4*14 TT TORX
15	413031001	BUTTONSENS. CONN. ASS.
16	411966821	SCREW PT 18*10 FZB TORX
17	412211404	SCREW M3*10 TORX
18	411968703	SET SCREW FLAT, M3*3 TORX
19	413057201	GEAR, ZZ
20	412993901	STEPPING MOTOR
21	413181802	LAMP, 24V, 5W
22	413244202	SEW.HEAD, MECH LIFT SPARE
23	412966501	CALIBRATION KNOB
24	413019001	SCREW K 30*8 PT WN 1452 S
25	412993501	STROKE LIMITER
26	412211401	SCREW M3*4 TORX
27	413060301	CLIPS, GABLE LOWER
28	412500601	BEARING
29	412501501	BEARING 10/6,354
30	412504701	LOCKING DEVICE
31	411966825	SCREW PT 16*8 FZB TORX
32	412876701	WASHER, NEEDLE THREADER
33	413238402	NEEDLE THREADER
34	413053601	HOLDER, NEEDLE THREADER
35	725522805	SCREW M3*16 INSEX
36	728522205	SOCKET SET SCREW FLAT POINT
37	412966601	WEDGE
38	413094303	NEEDLE BAR CPL.
39	413094701	SCREW THREAD GUIDE
40	413094801	NEEDLE SCREW
41	413094602	THREAD GUIDE
42	412993603	CROSS HEAD CPL.
43	413039201	HOLDER PRESSER FOOT CPL.
44	413040401	SCREW HOLDER PRESSER FOOT
45	820773096	STANDARD PRESSER FOOT W. IDT
46	412285403	PRESSER BAR
47	413070001	SLEEVE, PRESSER BAR
48	412685101	SPRING, PRESSER BAR
49	413162801	PRESSER BAR GUIDE, IDT CPL.
50	413069701	PRESSER FOOT LIFTER CPL.

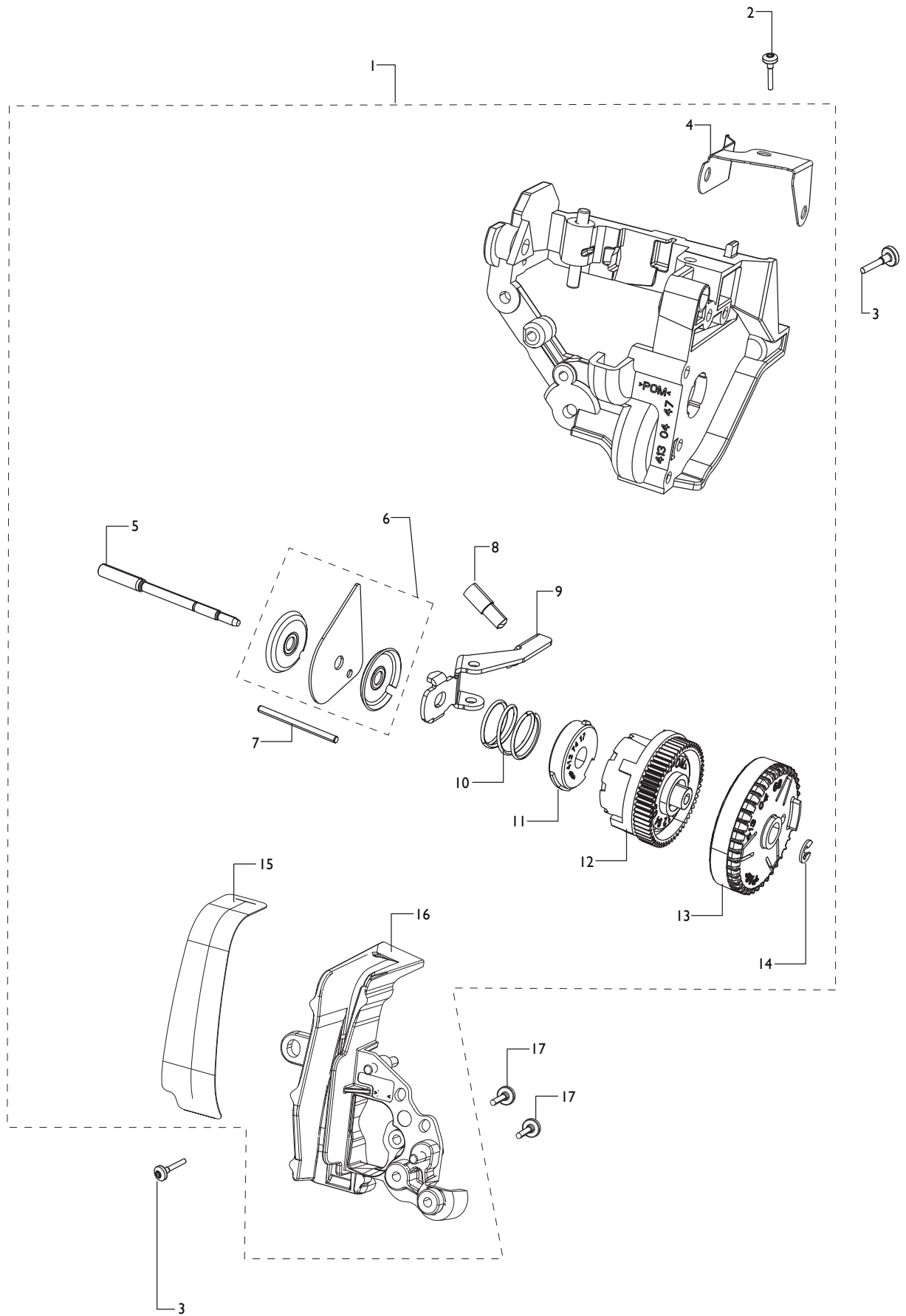
12





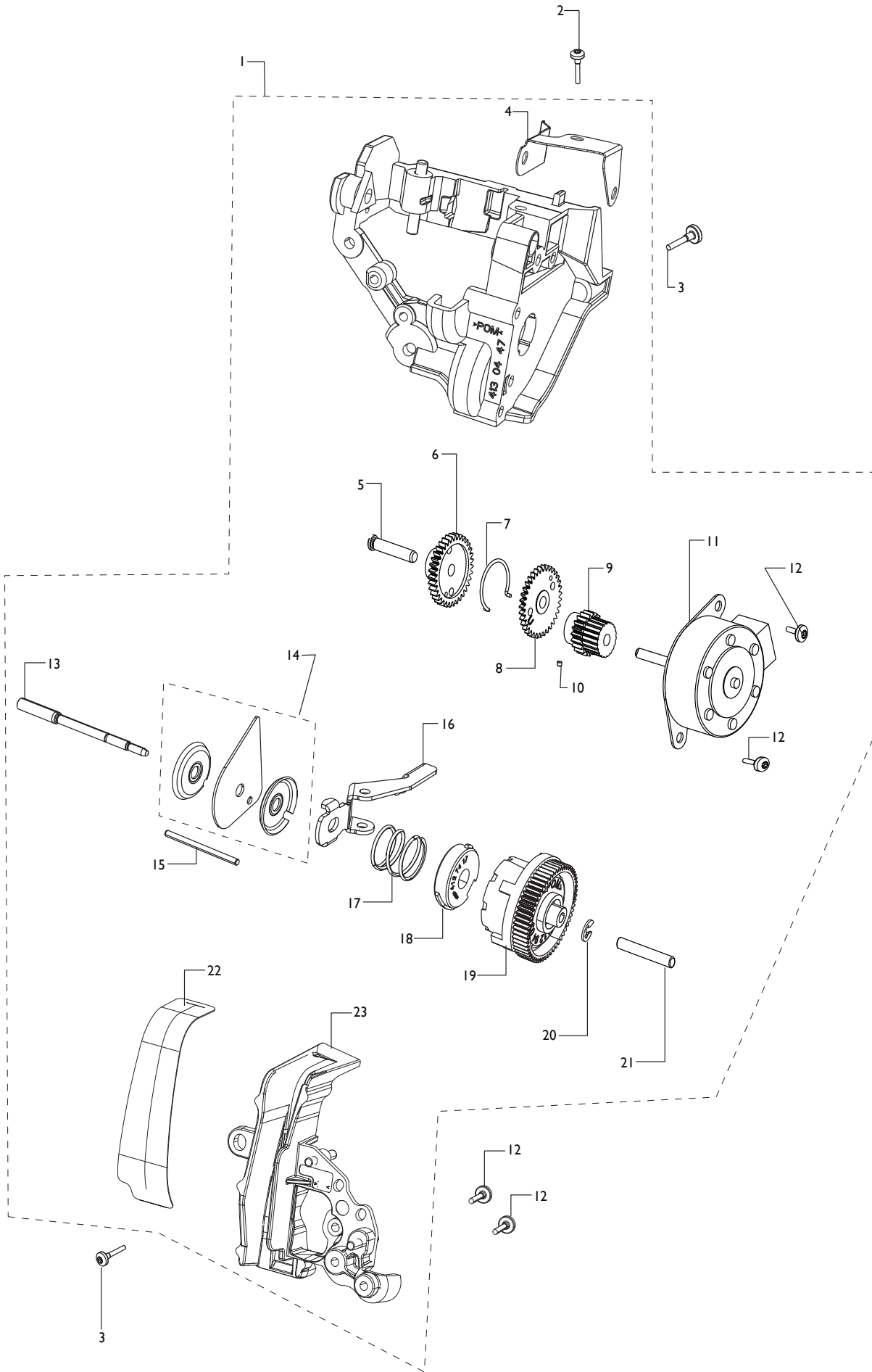
1	411966801	SCREW PT 30*7,5 FZB TORX
2	413015501	CONN.BOARD SERVO SENS.
3	413005901	STEPPING MOTOR CPL.
4	411966820	SCREW 30*10 FZB KOMBITORX
5	412974201	GEARHOUSE, SERVO
6	412316010	INA PIN NRB 3*17,8 03UM
7	412974301	GEARWHEEL SERVO PRIMO
8	412974401	GEARWHEEL SERVO SEC.
9	412546912	CABLE ASSEMBLY (18P)
10	412973901	SHIELD, PRESSERFOOT SERVO
11	413261601	GUIDE,SERVO CPL.
12	413300302	TAKE UP LEVER CPL. WITH LINK
13	735615340	COMPRESSION RINGS Ø6
14	413047401	LINK
15	411980601	WASHER
16	412001301	SPRING WASHER Ø 6.1/9X0,1
17	735613640	COMPRESSION RINGS Ø4
18	412281902	SCREW FLANGE M4*14 TT TORX
19	413031001	BUTTONSENS. CONN. ASS.
20	411966821	SCREW PT 18*10 FZB TORX
21	412211404	SCREW M3*10 TORX
22	411968703	SET SCREW FLAT, M3*3 TORX
23	413057201	GEAR, ZZ
24	412993901	STEPPING MOTOR
25	413181802	LAMP, 24V, 5W
26	412966501	CALIBRATION KNOB
27	413019001	SCREW K 30*8 PT WN 1452 S
28	412993501	STROKE LIMITER
29	412211401	SCREW M3*4 TORX
30	413060301	CLIPS, GABLE LOWER
31	412500601	BEARING
32	412501501	BEARING 10/6,354
33	412504701	LOCKING DEVICE
34	413244201	SEWING HEAD CPL.
35	413094303	NEEDLE BAR CPL
36	413094701	SCREW THREAD GUIDE
37	413094801	NEEDLE SCREW
38	413094602	THREAD GUIDE
39	412993601	CROSS HEAD CPL.
40	413039201	HOLDER PRESSER FOOT CPL.
41	413040401	SCREW HOLDER PRESSER FOOT
42	820773096	STANDARD PRESSER FOOT W. IDT
43	412285403	PRESSER BAR
44	413045801	PRESSER BAR GUIDE SERVO, IDT
45	411966825	SCREW PT 16*8 FZB TORX
46	412876701	WASHER, NEEDLE THREADER
47	413238402	NEEDLE THREADER
48	413053601	HOLDER, NEEDLE THREADER
49	725522805	SCREW M3*16 INSEX
50	728522205	SOCKET SET SCREW FLAT POINT
51	412966601	WEDGE

J



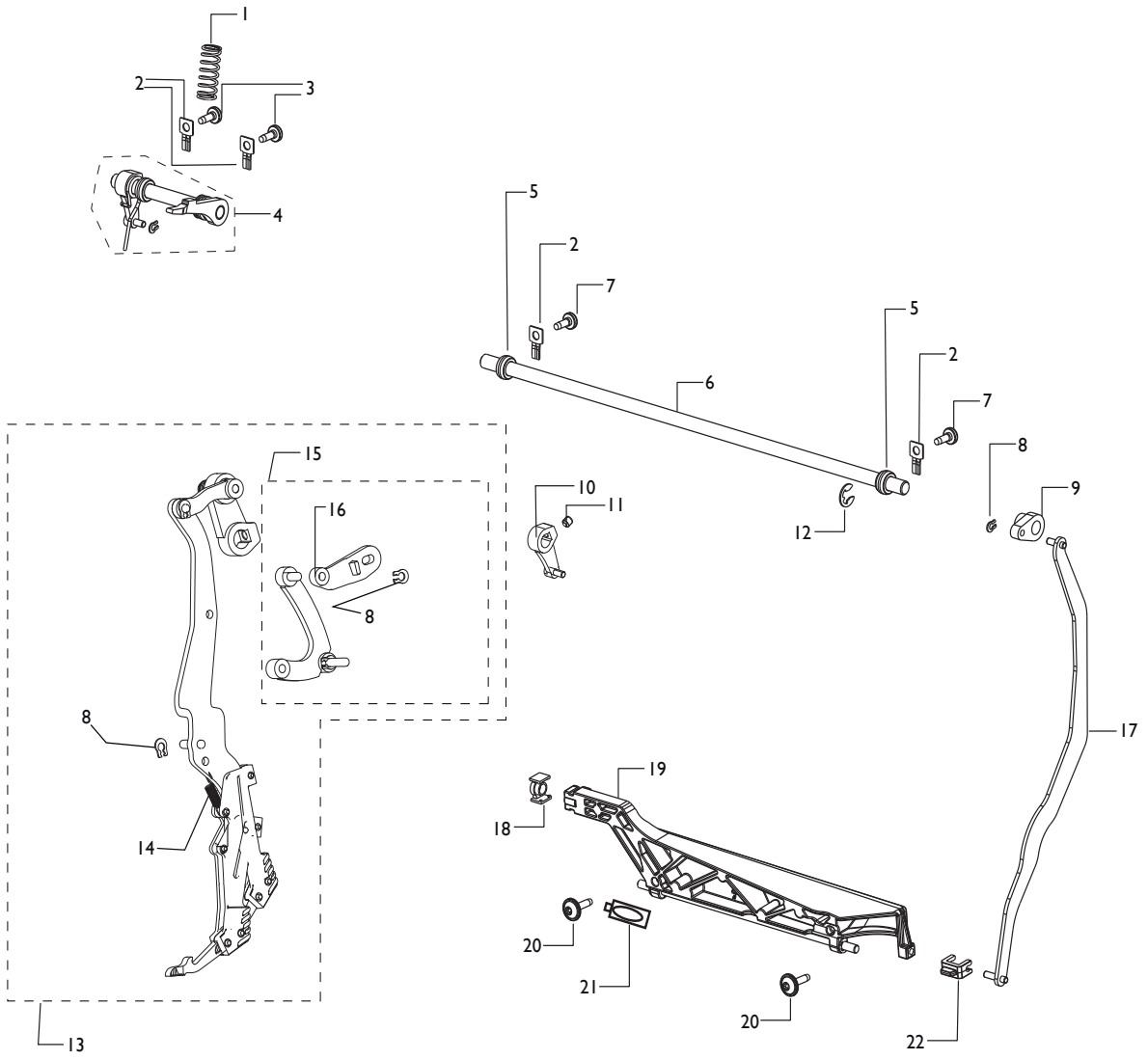
1	412940201	THREAD TENSION ASS.
2	411966803	SCREW PT 30*12 FZB TORX
3	411966807	SCREW PT 40*10 FZB TORX
4	413128501	CONTACT SPRING
5	412940101	SHAFT, THREAD TENSION
6	413106402	THREAD DISK KIT
7	413113201	PIN
8	412962801	ADJUSTING SCREW, FEED DOG
9	412940501	RELEASE LEVER, THREAD TENSION
10	413159501	COMPRESSION SPRING, THREAD TENS.
11	412741701	NUT, THREAD TENSION
12	412940404	SPRING HOUSE THREAD TENSION
13	413046701	ADJUSTING DIAL
14	735310620	LOCK WASHER 2.3
15	413218502	SEALING, TAKE UP LEVER, VER2
16	413232201	SHIELD, TAKE UP LEVER ASS. VER2
17	411966820	SCREW 30*10 FZB KOMBITORX

J2



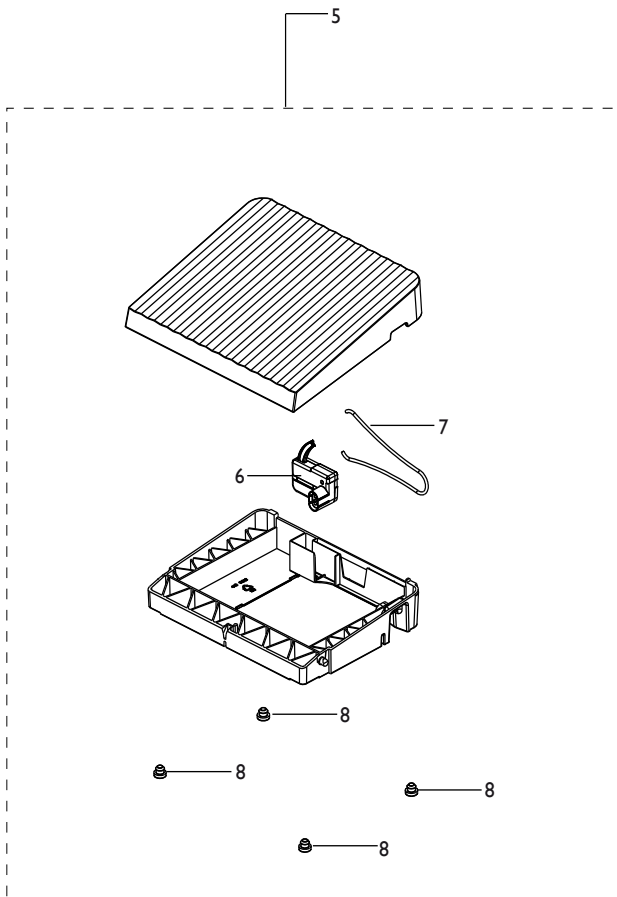
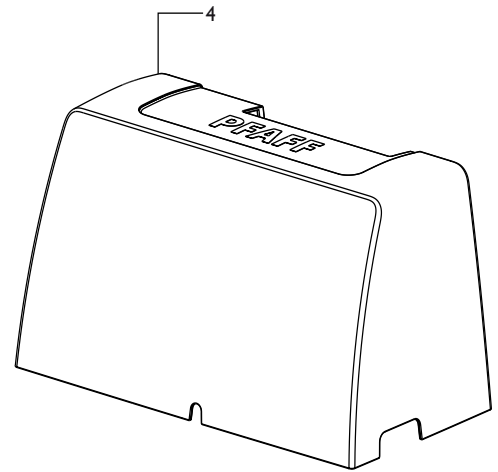
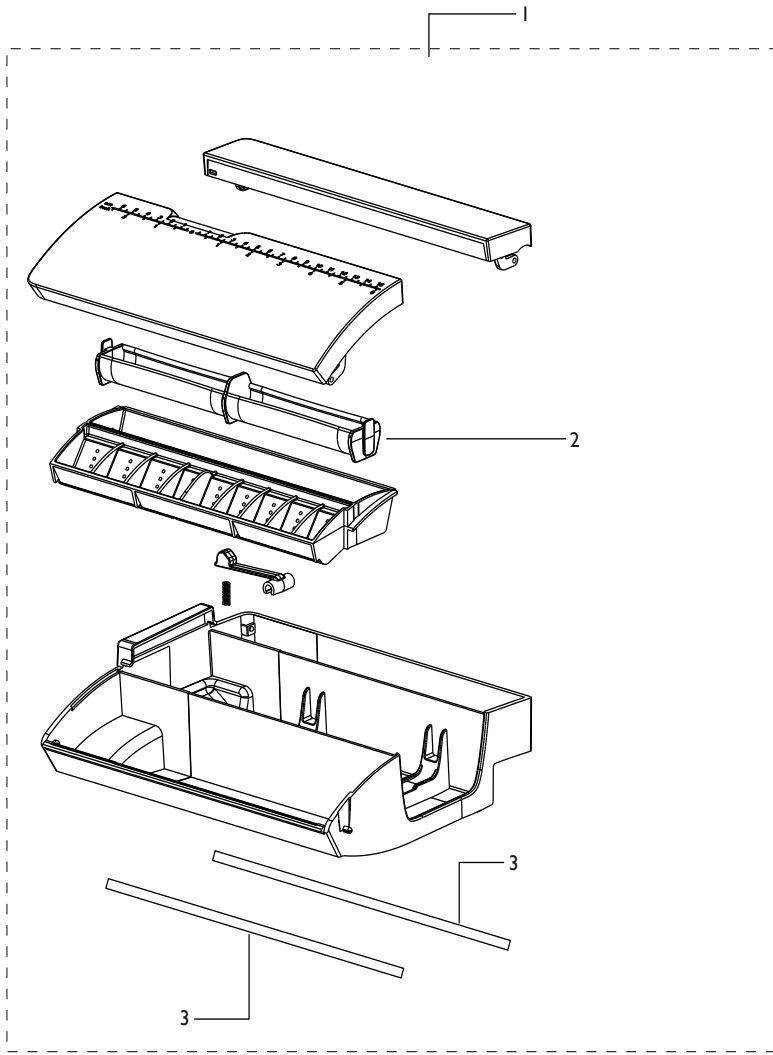
1	412940208	THREAD TENSION ASS.
2	411966803	SCREW PT 30*12 FZB TORX
3	411966807	SCREW PT 40*10 FZB TORX
4	412940602	CONTACT SPRING
5	413056002	SHAFT, THREAD TENSION
6	413059101	INTERMEDIATE GEAR, FIXED
7	412442801	SPRING GEAR WHEEL
8	413059202	INTERMEDIATE GEAR, MOVABLE
9	412742401	GEAR, FIXED
10	411968703	SET SCREW FLAT, M3*3 TORX
11	412993903	STEPPING MOTOR
12	411966820	SCREW 30*10 FZB KOMBITORX
13	412940101	SHAFT, THREAD TENSION
14	413106402	THREAD DISK, KIT
15	413113201	PIN
16	412940501	RELEASE LEVER, THREAD TENSION
17	413159501	COMPRESSION SPRING, THREAD TENS.
18	412741701	NUT, THREAD TENSION
19	412940404	SPRING HOUSE THREAD TENSION
20	735310620	LOCK WASHER 2.3
21	412316060	INA PIN NRB 3*23,8 02UM
22	413218502	SEALING, TAKE UP LEVER, VER2
23	413232201	SHIELD, TAKE UP LEVER ASS.VER2

K

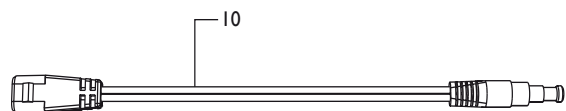
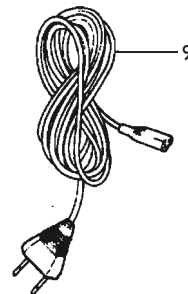


1	413065901	COMPRESSION SPRING, HEIGHT CAM
2	413042901	CLAMP, IDT
3	411966820	SCREW 30*10 FZB KOMBITORX
4	413065701	HEIGHT SHAFT, IDT CPL.
5	413042601	BEARING, IDT
6	413042401	SHAFT UPPER, IDT
7	412056005	SCREW TAPITTE M4*10 TORX
8	735612440	COMPRESSION RINGS Ø3
9	413042501	REAR CRANK, IDT
10	413046201	HEIGHT CRANK, IDT CPL.
11	411968706	SET SCREW FLAT, M4*4 TORX
12	735310920	SNAP RING E5
13	413043201	ARM, IDT CPL.
14	413043101	COMPRESSION SPRING
15	413140801	TOGGLE LINK, IDT CPL.
16	413043601	LOWER SLEWING BRACKET, IDT
17	413043001	LINK, IDT, LONG
18	413042201	FEEDER BEARING, IDT
19	413041901	CONNECTOR FEEDER, IDT
20	411967212	SCREW TAPITTE FS M4*12 TORX
21	413140701	CLAMP SHAFT, IDT
22	413042001	CLAMPING, IDT

L



POWERCORD





1	413083903	ACCESS.BOX CPL W. SPOOL HOLD.
2	412737401	BOBBIN HOLDER
3	412529702	FRICITION TAPE
4	413071902	COVER CPL.
5	412991401	FOOT CONTROL CPL. GREY N.WIND
6	412318901	CONTROL UNIT INCL.CARD
7	412159801	SPRING
8	412184501	FOOT
9	412157801	NET CABLE 220V
	412157902	NET CABLE 120V JAP
	412157903	NET CABLE 120V
	412158002	NET CABLE GB
	412158101	NET CABLE AU
10	413021501	CABLE, FOOT CONTROL

PFAFF Expression 3.2 and 4.2

Standard Accessories Expression 2.0 / 3.0

413 02 1608 Accessory bag cpl.  
413190401 Brush  
412 38 1501 Screwdriver  
401 53 9901 Cutter  
413 10 5601 Clearance plate  
820 793096 Bobbin 10 pack  
820 774096 Presserfoot 1A Fancy stitchfoot w IDT  
820 256096 Presserfoot 3 Blindhemfoot w IDT  
820 248096 Presserfoot 4 Zipperfoot  
820 672096 Presserfoot 5M Man. Buttunhole foot  
413 03 9601 Darningfoot  
820 249096 Presserfoot 7 Rolled hem foot w IDT  
412 61 0701 Felt pad  
413 15 0701 Needle box, Inspira  
412 57 0101 Sleeve, lamp  
412 39 7701 Thread net 15X100  
413 05 1602 Spoolholder 35mm  
413 17 0301 Sensormatic buttonhole foot cpl.  
9880242200000 Edge ruler

Standard Accessories Quilt Expression 4.0

413 02 1609 Accessory bag cpl.  
401 55 5501 Brush  
412 38 1501 Screwdriver  
401 53 9901 Cutter  
413 10 5601 Clearance plate  
820 793096 Bobbin 10 pack  
820 774096 Presserfoot 1A Fancy stitchfoot w IDT  
820 256096 Presserfoot 3 Blindhemfoot w IDT  
820 248096 Presserfoot 4 Zipperfoot  
820 672096 Presserfoot 5M Man. Buttunhole foot  
820 671096 Presserfoot 6A Emb. foot  
820 249096 Presserfoot 7 Rolled hem foot w IDT  
820 211096 Quilt foot  
412 61 0701 Felt pad  
413 15 0701 Needle box, Inspira  
412 57 0101 Sleeve, lamp  
412 39 7701 Thread net 15X100  
413 05 1602 Spoolholder 35mm  
413 17 0301 Sensormatic buttonhole foot cpl.  
9880242200000 Edge ruler

Users Guide Expression 2.0/3.0/QE4.0

413 13 6001 Swe  
413 13 6006 Den  
413 13 6007 Isl  
413 13 6010 Jap  
413 13 6011 Fin  
413 13 6021 Norw  
413 13 6026 Eng  
413 13 6031 Fra  
413 13 6036 Holl  
413 13 6041 Ita  
413 13 6046 Spa  
413 13 6051 Ger  
413 13 6056 Rus  
413 13 6090 Cze

# PFAFF®

Technische Änderungen vorbehalten  
Subject to alterations in design  
Sous toute réserve de modifications  
techniques  
Salvo modificaciones técnicas  
Con riserva di modifiche tecniche